

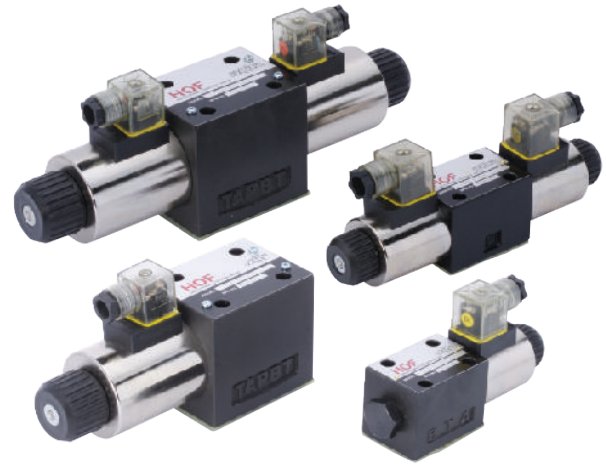
Solenoid Operated Directional Valve

HWE Series



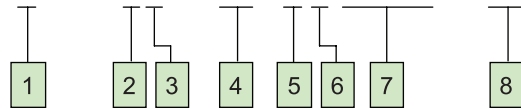
Features and Handling

- WE Series is a direct solenoid operated directional spool valve. The valve porting pattern follows DIN 24 340 form A. The valves come with wet pin DC or AC solenoids with removeable coil which can be rotated through 90 degree.
- The standard valves come with DIN 43650 electrical connector with light and manual override to permit the spool to be moved without the solenoid being energized.
- For correct operation, ensure that the solenoid pressure chamber is filled with oil. Do not exceed permissible voltage range of the coil.
- Keep surge pressure below the maximum permissible back pressure port T. Keep hydraulic oil clean at ISO cleanliness code 19/16.



The products described herein, including without limitation, product features, specifications, designs, availability and pricing, are subject to change at any time without notice.

4HWE6D - 60/OAW110 - 10



1 Number of Port
 3 - 3 ports
 4 - 4 ports

2 Valve Size
 6 - NG6 (CETOP3)
 10 - NG10 (CETOP5)

3 Spool type

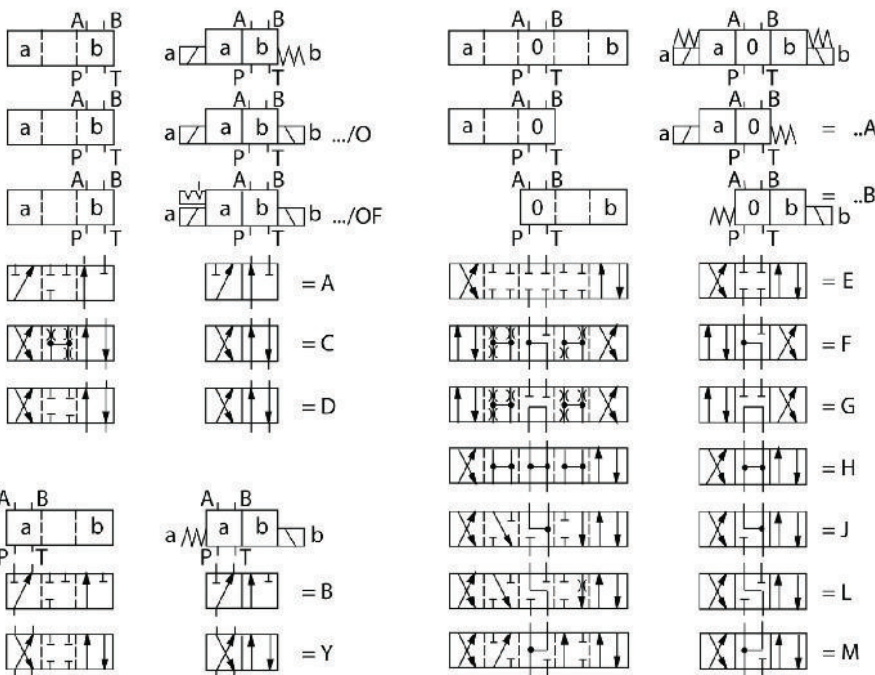
4 Design
 60 - for HWE6
 30 - for HWE10

5 Spring and Detent
 S - Spring return
 O - Without Spring return
 OF - Without Spring return with detent

6 Coil type
 A - Wet pin oil immersed with removable coil

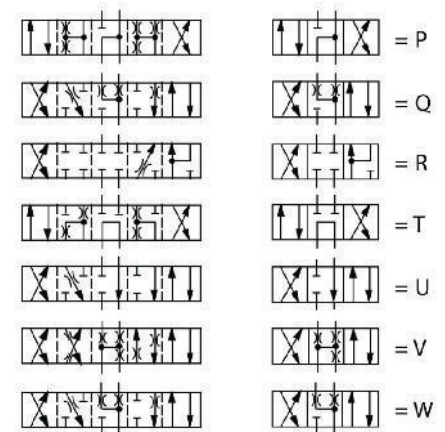
7 Coil Voltage
 G24 - 24V DC
 W220 - 220V AC 50/60 Hz
 W110 - 110V AC 50/60 Hz

8 Further detail for future use

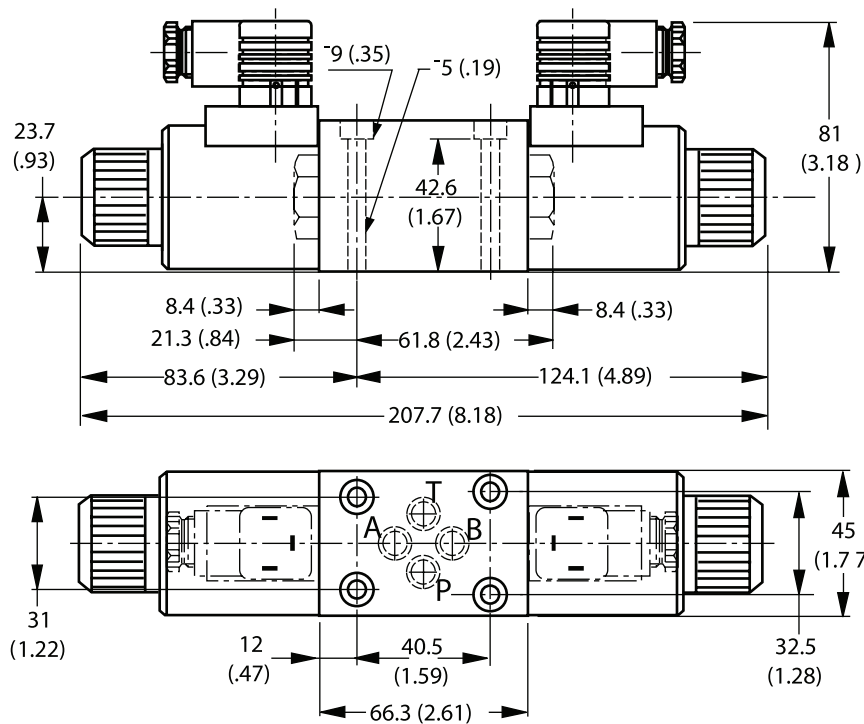


Note

1. With.../O and.../OF, spool A, C, and D can come without spring return with or without detent.
2. With ..A and ..B, spool E to spool W can come with switched position "a" or "b" only e.g. spool EA is spool E with switched position "a" only.



HWE6



HWE10

