

# Pilot Operated Relief Valve

## RB Series



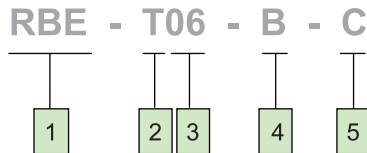
### Features and Handling

- RB Series are Balanced Piston type relief valves with three pressure ranges available. The valves come with optional Vent port and Gauge port. The valves can be controlled by Solenoid Operated Directional Control valve with optional cover setting for mounting the Solenoid Operated Directional Control valve on top.
- To adjust the set pressure, loosen the lock nut of the valve and turn the handle to adjust the pressure. Maintain the back pressure at the tank port as low as possible, less than 2 bar (28 psi).



### Ordering Code

RB Series



#### 1 Model Series

- RB - Standard Cover
- RBE - Cover for mounting CETOP 3 or NG6 Solenoid Valve (size 06 and size 10 only)

#### 2 Mounting

- T - Threaded connections
- G - Gasket mounting (size 03 and 06 only)

#### 3 Valve size

- 03 - 3/8"
- 04 - 1/2"
- 06 - 3/4"
- 10 - 1-1/4"

#### 4 Threaded size (Threaded connections only)

RB-T04

Code	Thread size
P	1/2" BSPT
B	1/2" BSP

RB-T06 or RBE-T06

Code	Thread size
N	3/4" NPT
B	3/4" BSP
S	SAE #12

RB-T10 or RBE-T10

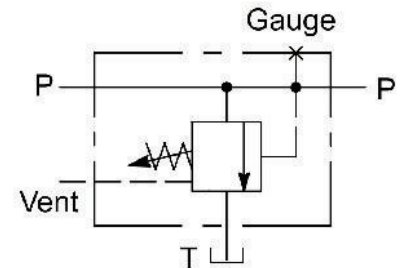
Code	Thread size
N	1-1/4" NPT
B	1-1/4" BSP
S	SAE #20

#### 5 Pressure Range

- A - 7-70 bar (100-1000 psi)
- B - 35-140 bar (500-2000 psi)
- C - 70-210 bar (1000-3000 psi)

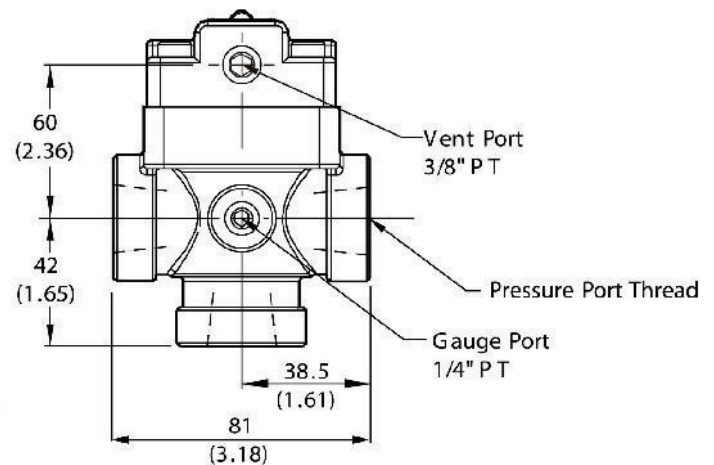
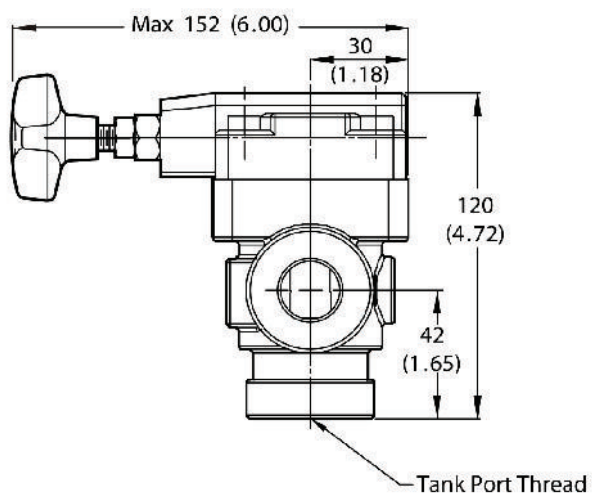
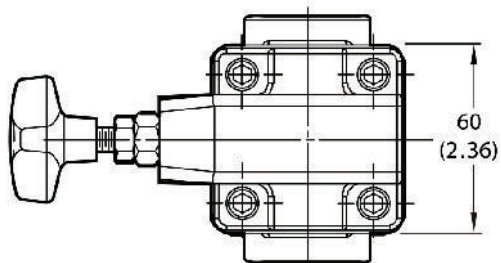
## Specifications

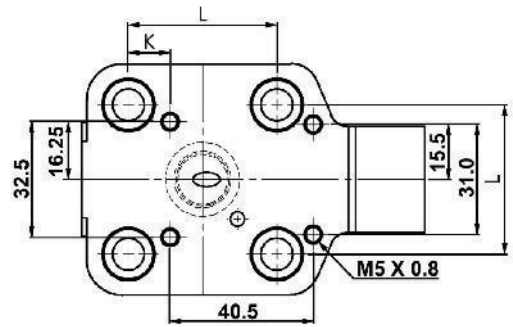
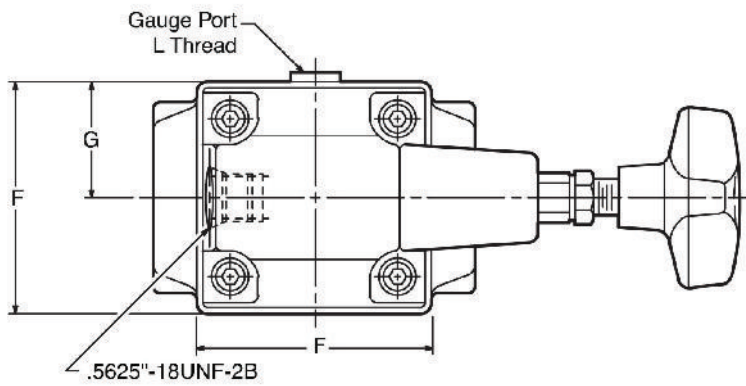
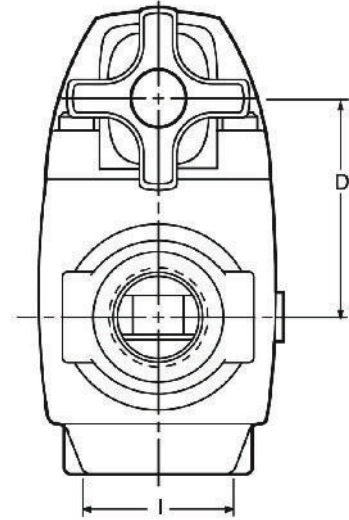
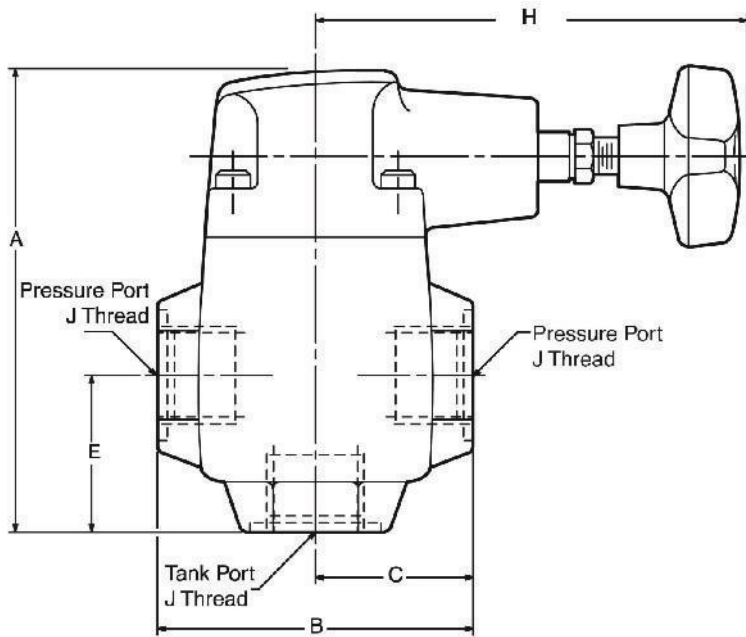
Model	Maximum Flow L/min (USgpm)	Maximum Pressure bar (psi)	Weight kg (lb)
RB-G03	30 (8)	210 (3000)	4.30 (9.5)
RBE-G03			4.40 (9.7)
RB-T04	80 (21)		2.40 (5.3)
RB-T06	175 (46)		4.30 (9.5)
RB-G06			7.20 (15.8)
RBE-T06			4.40 (9.7)
RBE-G06			7.20 (15.8)
RB-T10	454 (120)		6.50 (14.3)
RBE-T10			8.40 (18.50)



## Installation Dimensions mm (inch)

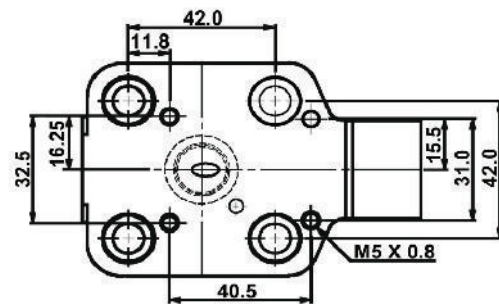
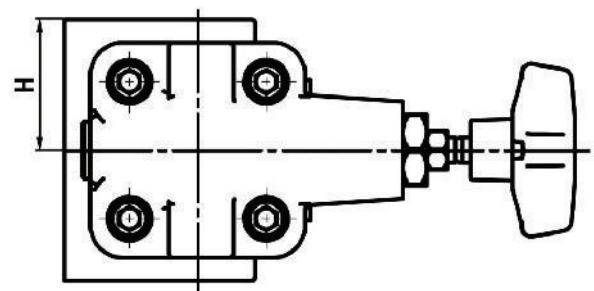
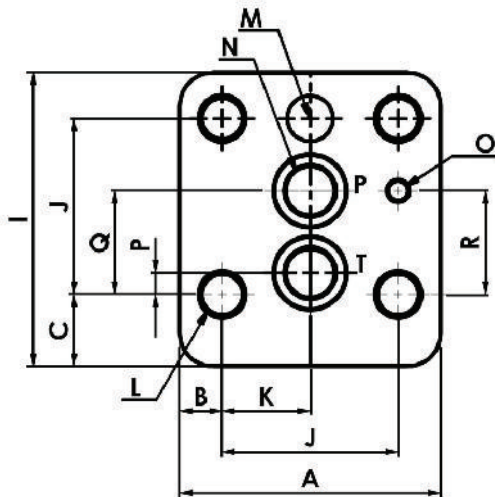
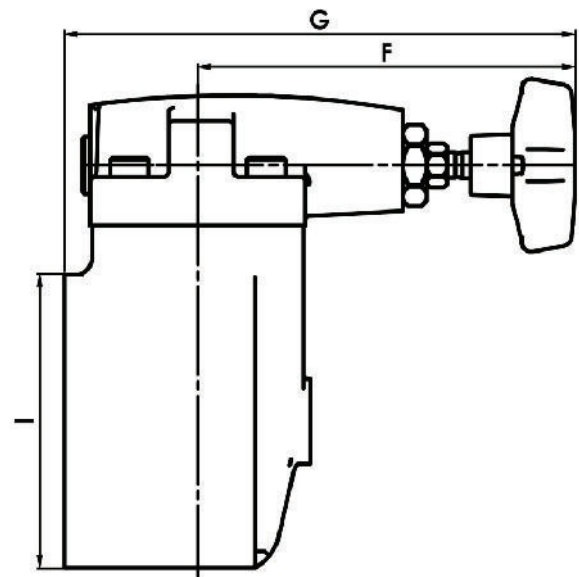
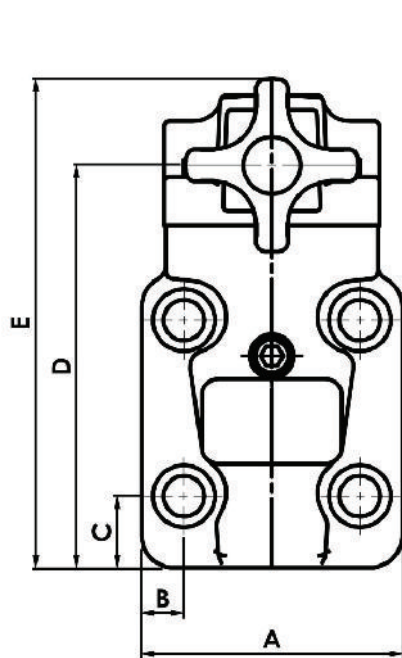
**RB-T04**





only RBE-T06 , RBE-T10

Model	A	B	C	D	E	F	G	H	I	J	K	L
RB-T06 RBE-T06	128.8	92.5	46.3	63.0	45.5	73.0	36.5	134.0	57.0	3/4" NPT 3/4" BSP 1.0625" - 12UN-2B	11.8	42.0
RB-T10 RBE-T10	157.2	124.0	61.9	66.5	61.9	83.3	41.7	134.0	61.9	1-1/4" NPT 1-1/4" BSP 1.0625" - 12UN-2B	6.75	54.0



only RBE-G03, RBE-G06

Model	A	B	C	D	E	F	G	H	I	J	K	L	M	N	O	P	Q	R
RB-G03, RBE-G03	80.0	13.0	23.0	123.5	150.0	134.0	175.0	40.0	90.0	54.0	27.0	Ø 12.5	Ø 1.8	Ø 16.0	Ø 6.0	6.6	31.8	31.8
RB-G06, RBE-G06	103.0	16.5	17.6	148.5	175.0	134.0	175.0	51.5	113.5	66.7	33.35	Ø 17.0	Ø 3.0	Ø 24.0	Ø 6.3	11.2	49.2	23.9