

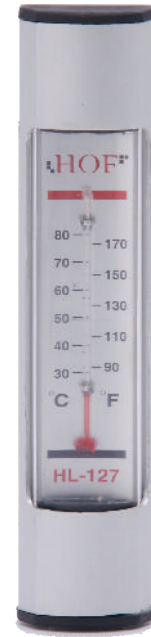
Level and Temperature Gauge

HL-76/HL-127

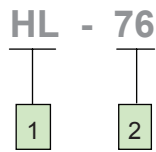


Features and Handling

- HL-76,HL-127 is a level and temperature gauge for mounting on side of oil tank, fuel reservoirs, central lubrication unit, and etc. It is made of Aluminum casting, oil-resistant rubber gaskets, and plastic circular gauges for large sight area.



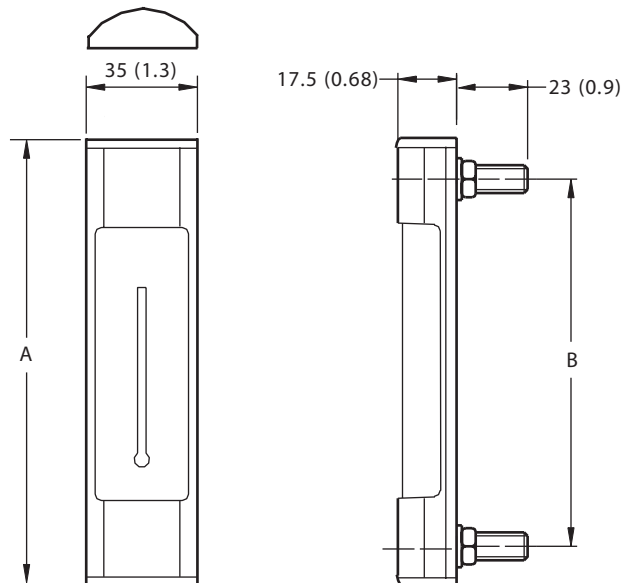
Ordering Code



1 Model : HL

2 Mounting (mm)
 76 - Small size
 127 - Large size

Specification and Installation Dimensions mm (inch)



Model	A	B
HL-76	103 (4.05)	76 (3.0)
HL-127	154 (6.06)	127 (5.0)