

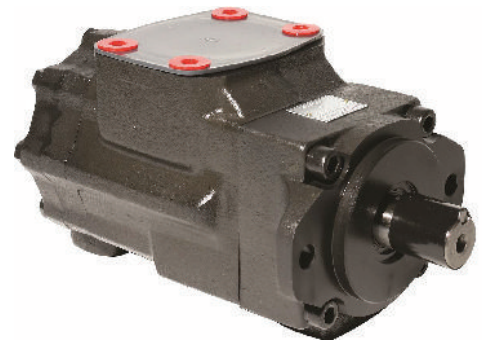
High Pressure Double Vane Pump

HT6CCZ Series



Features

- HT6CCZ Series is fixed displacement and balanced type double vane pumps. The pump is designed to carry high shaft loads by double row ball bearing at the front and needle ball bearing at the rear.



HT6CCZ - 031 - 005 - X R 00 - 00

1

2

3

4

5

6

7

1 Model Series
HT6CCZ

2 Shaft End Pump
Ring Size (USgpm)

HT6CCZ - 003, 005, 006, 008, 010, 012, 014
017, 020, 022, 025, 028, 031

3 Cover End Pump
Ring Size (USgpm)

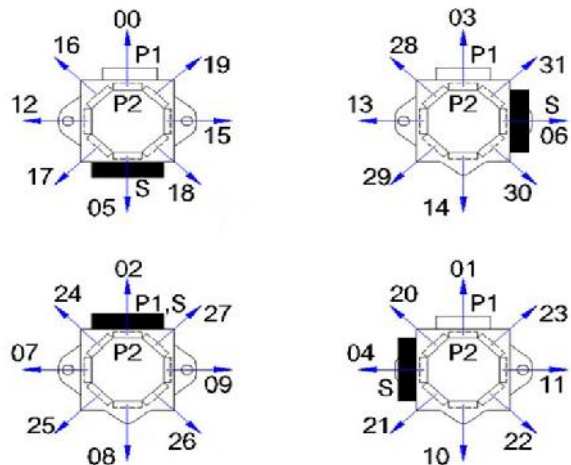
HT6CCZ - 003, 005, 006, 008, 010, 012, 014

4 Shaft
X - Keyed Shaft
W - Keyed Shaft
V - Keyed Shaft

5 Shaft Rotation
(Viewed from shaft end)

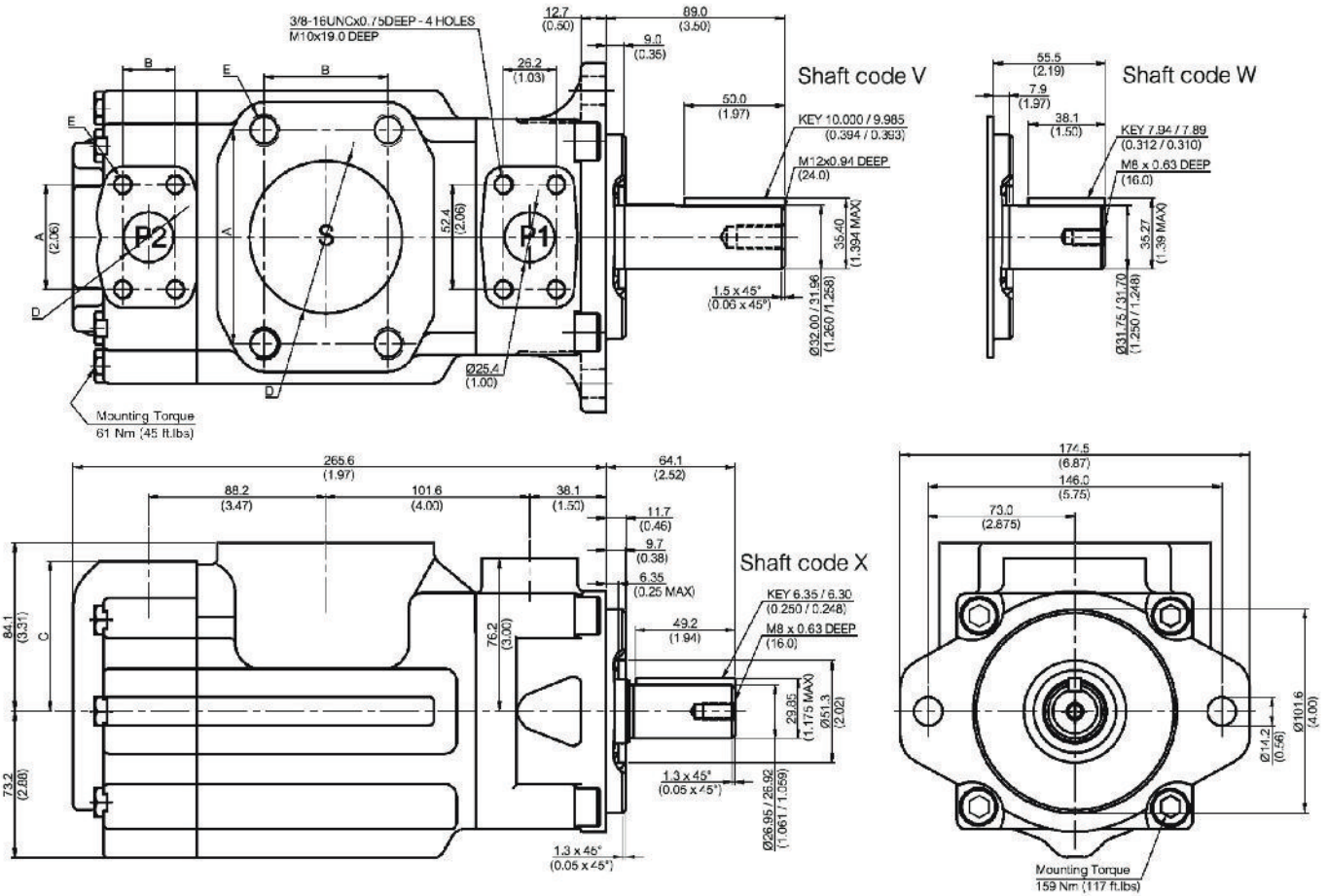
R - Turn right
L - Turn left

6 Port position
(Viewed from cover end)
2 digits code presents the position of cover end outlet (P2) at various positions of shaft end outlet (P1) and inlet (S)



7 Port Connection

CODE		4 bolt SAE flanges		
UNC	METRIC	P1	P2	S
00	0M	1"	1"	3"
01	M0	1"	3/4"	3"
10	1M	1"	1"	2"1/2"
11	M1	1"	3/4"	2"1/2"



PORT	A	B	C	D	E
S	406.4 (4.19)	61.9 (2.44)		Ø 76.2 (3.00)	5/8" - 11 UNC x 1.12 DEEP (M16 x 28.4 DEEP)
S	88.9 (3.50)	50.8 (2.00)		Ø 63.5 (2.5)	1/2" - 13 UNC x 0.94 DEEP (M12 x 24.0 DEEP)
P2	47.6 (1.874)	22.2 (0.874)	76.2 (3.00)	Ø 19.0 (0.75)	3/8" - 16 UNC x 0.75 DEEP (M10 x 19.0 DEEP)
P2	52.4 (2.06)	26.2 (1.03)	74.7 (2.94)	Ø 25.4 (1.00)	

Shaft End Pump				Cover End Pump				Max Speed	Weight
Size	Displacement cm³/r (in³/r)	Max	Max	Size	Displacement cm³/r (in³/r)	Max	Max		
		Intermittent	Continuous			Intermittent	Continuous		
		Pressure bar (psi)	Pressure bar (psi)			Pressure bar (psi)	Pressure bar (psi)		
003	10.8 (0.66)	280 (4000)	240 (3500)	003	10.8 (0.66)	280 (4000)	240 (3500)	2800	27 (59.5)
005	17.2 (1.05)			005	17.2 (1.05)				
006	21.3 (1.30)			006	21.3 (1.30)				
008	26.4 (1.61)			008	26.4 (1.61)				
010	34.1 (2.08)			010	34.1 (2.08)				
012	37.1 (2.26)			012	37.1 (2.26)				
014	46.0 (2.81)			014	46.0 (2.81)				
017	58.3 (3.56)			017	58.3 (3.56)				
020	63.8 (3.89)			020	63.8 (3.89)				
022	70.3 (4.29)			22	70.3 (4.29)				
025	79.3 (4.84)			025	79.3 (4.84)				
028	88.8 (5.42)	210 (3000)	160 (2300)	028	88.8 (5.42)	210 (3000)	160 (2300)	2500	
031	100.0 (6.10)			031	100.0 (6.10)				

* Performance Characteristics same as HT6C, HT6CC *