

# Cartridge Kit for Tokimec Vane Pump

## HSQP Series



### Features

Replacement for HSQP Cartridge kits of Tokimec pump. This low noise, high performance fixed vane pump series offers superior performance with high volumetric efficiency and very low noise characteristics.



### Handling

- When ordering, if left hand rotation, special seal, or a specific position of cartridge (shaft end or cover end) is required, it should be specified by ordering code.
- When install the cartridge into the body, carefully move back and forth until the cartridge pins drop into the cover holes and one of the chamfers on the cam ring aligns with the cover inlet port.

### Ordering Code

HSQP2 - 21 - B - L

1            2            3            4

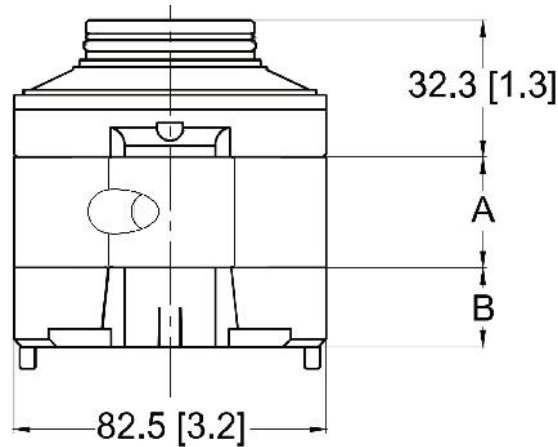
**1** Model Series  
HSQP1 , HSQP2 , HSQP3 , HSQP4

**3** Cartridge Position  
A - For single pump or shaft end in double pump and Triple pump  
B - For Middle in triple pump  
C - For cover end in double pump and Triple pump

**2** Ring Size (USgpm)  
HSQP1 - 2 , 5 , 8 , 11 , 12 , 14  
HSQP2 - 12 , 14 , 17 , 19 , 21  
HSQP3 - 21 , 25 , 30 , 35 , 38  
HSQP4 - 42 , 50 , 57 , 60

**4** Shaft Rotation  
(Viewed from shaft end)  
R - Turn right  
L - Turn left

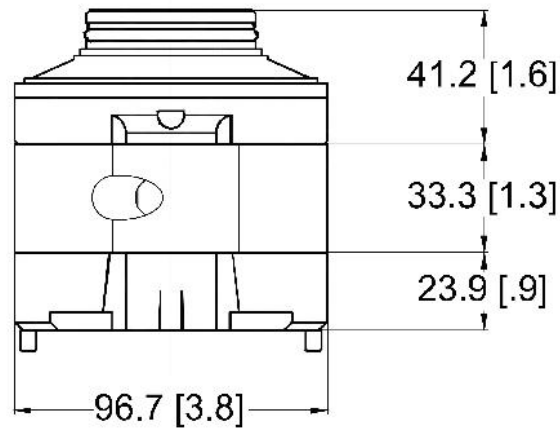
### Cartridge Kit HSQP1 Installation Dimensions mm (inch)



#### Specifications

Delivery at 1200 rpm & 7 bar (100 psi) <i>USgpm</i>	Displacement <i>cm<sup>3</sup>/r (in<sup>3</sup>/r)</i>	Maximum Speed <i>rpm</i>	Maximum Pressure <i>bar (psi)</i>	Typical Delivery at max speed & pressure <i>L/min (USgpm)</i>	Typical Input Power at max speed & pressure <i>kW (hp)</i>	Weight <i>kg (lb)</i>
2	7.0 (0.42)	1800	206 (3000)	11.3 (3.0)	5.2 (7.0)	2.4 (5.3)
5	18 (1.10)	1800	206 (3000)	28.4 (7.5)	11.2 (15.0)	2.4 (5.3)
8	27 (1.67)	1800	206 (3000)	45.4 (12.0)	17.0 (22.8)	2.4 (5.3)
9	30.2 (1.84)	1800	206 (3000)	51.0 (13.5)	23.5 (31.5)	2.3 (5.1)
11	36 (2.22)	1800	206 (3000)	56.8 (15.0)	22.6 (30.3)	2.3 (5.1)
12	40 (2.47)	1800	158 (2300)	62.1 (16.4)	25.1 (33.7)	2.3 (5.1)
14	45 (2.78)	1800	138 (2000)	69.6 (18.4)	28.3 (37.9)	2.3 (5.1)

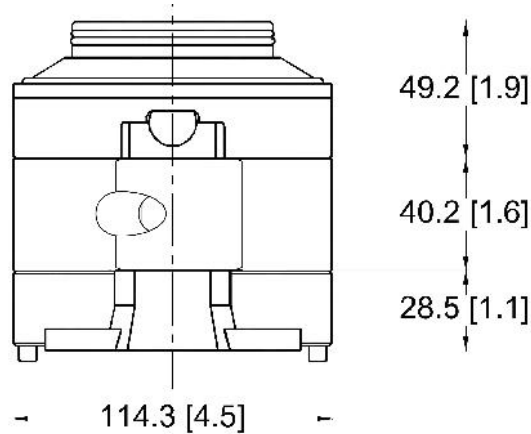
### Cartridge Kit HSQP2 Installation Dimensions mm (inch)



#### Specifications

Delivery at 1200 rpm & 7 bar (100 psi) <i>USgpm</i>	Displacement <i>cm<sup>3</sup>/r (in<sup>3</sup>/r)</i>	Maximum Speed <i>rpm</i>	Maximum Pressure <i>bar (psi)</i>	Typical Delivery at max speed & pressure <i>L/min (USgpm)</i>	Typical Input Power at max speed & pressure <i>kW (hp)</i>	Weight <i>kg (lb)</i>
12	39 (2.47)	1800	172 (2500)	62.1 (16.4)	22.9 (30.8)	3.6 (7.9)
14	45 (2.78)	1800	172 (2500)	69.6 (18.4)	25.7 (34.5)	3.6 (7.9)
17	55 (3.39)	1800	172 (2500)	86.3 (22.8)	29.8 (40.0)	3.6 (7.9)
19	60.8 (3.72)	1800	172 (2500)	96.1 (25.4)	32.5 (43.5)	3.6 (7.9)
21	67 (4.13)	1800	172 (2500)	106.0 (28.0)	34.0 (45.6)	3.6 (7.9)

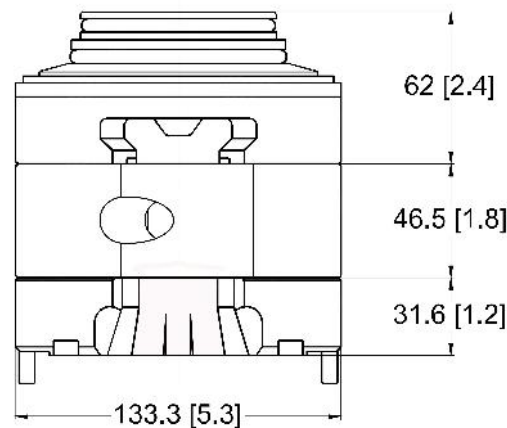
### Cartridge Kit HSQP3 Installation Dimensions mm (inch)



#### Specifications

Delivery at 1200 rpm & 7 bar (100 psi) USgpm	Displacement $cm^3/r$ ( $in^3/r$ )	Maximum Speed rpm	Maximum Pressure bar (psi)	Typical Delivery at max speed & pressure L/min (USgpm)	Typical Input Power at max speed & pressure kW (hp)	Weight kg (lb)
2	7.0 (0.42)	1800	206 (3000)	11.3 (3.0)	5.2 (7.0)	2.4 (5.3)
5	18 (1.10)	1800	206 (3000)	28.4 (7.5)	11.2 (15.0)	2.4 (5.3)
8	27 (1.67)	1800	206 (3000)	45.4 (12.0)	17.0 (22.8)	2.4 (5.3)
9	30.2 (1.84)	1800	206 (3000)	51.0 (13.5)	23.5 (31.5)	2.3 (5.1)
11	36 (2.22)	1800	206 (3000)	56.8 (15.0)	22.6 (30.3)	2.3 (5.1)
12	40 (2.47)	1800	158 (2300)	62.1 (16.4)	25.1 (33.7)	2.3 (5.1)
14	45 (2.78)	1800	138 (2000)	69.6 (18.4)	28.3 (37.9)	2.3 (5.1)

### Cartridge Kit HSQP4 Installation Dimensions mm (inch)



#### Specifications

Delivery at 1200 rpm & 7 bar (100 psi) USgpm	Displacement $cm^3/r$ ( $in^3/r$ )	Maximum Speed rpm	Maximum Pressure bar (psi)	Typical Delivery at max speed & pressure L/min (USgpm)	Typical Input Power at max speed & pressure kW (hp)	Weight kg (lb)
12	39 (2.47)	1800	172 (2500)	62.1 (16.4)	22.9 (30.8)	3.6 (7.9)
14	45 (2.78)	1800	172 (2500)	69.6 (18.4)	25.7 (34.5)	3.6 (7.9)
17	55 (3.39)	1800	172 (2500)	86.3 (22.8)	29.8 (40.0)	3.6 (7.9)
19	60.8 (3.72)	1800	172 (2500)	96.1 (25.4)	32.5 (43.5)	3.6 (7.9)
21	67 (4.13)	1800	172 (2500)	106.0 (28.0)	34.0 (45.6)	3.6 (7.9)